

Features

- Power (0.15 W typ at 25 °C)
- 20 MHz operating frequency
- Fast Warm-up (45 seconds)
- Ultra low phase noise
- 115 dBc/Hz at 10 Hz
- 145 dBc/Hz at 100 Hz
- 155 dBc/Hz at 1KHz
- 165 dBc/Hz at 10KHz

Picture of Part



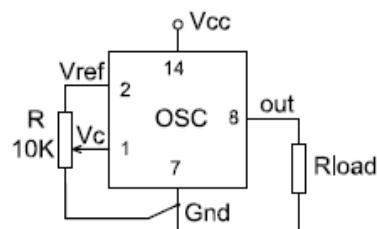
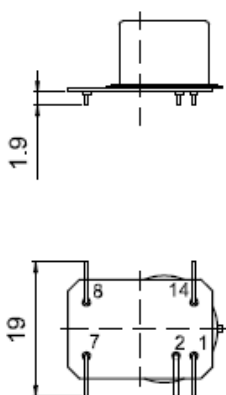
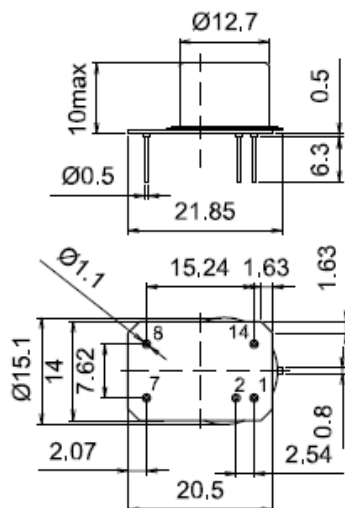
Typical Applications

- Portable and low Power
- Low Noise Test Equipment and synthesizers
- Microwave Communications Systems

Description

The OPT OX-1201-20MHz-A ovenized oscillator design technology offers a directly heated Crystal process which allows for very fast warm up without degrading Low phase noise and frequency stability required of tradition al OCXO products.

Mechanical Drawing and PIN Connections



Pin	Signal
1	Electrical tuning
2	Reference voltage
7	GND
8	RF Out
14	+V Supply