

Features

50 MHz low noise output
3.3 volt supply
CMOS Output

≤ -145 dBc/Hz at 1 KHz
 ≤ -155 dBc/Hz at 10KHz

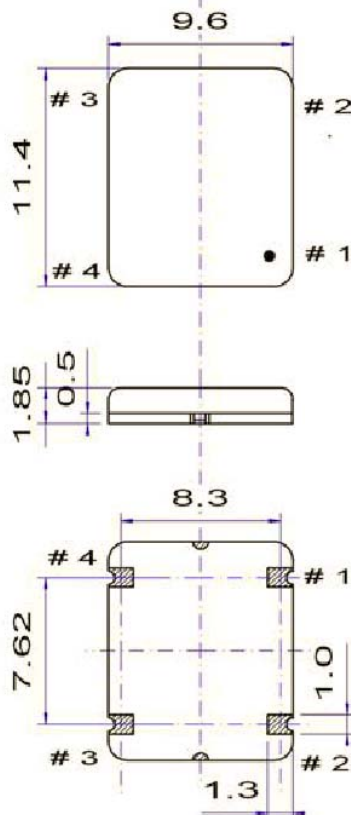
Typical Applications

Test Instrumentation
Microwave Communications

Description

The OPT TX-1212-50MHz-A offers a very low noise CMOS output based on continuous analog compensation across temperature.

Mechanical Drawing and PIN Connections



Pin function

# 1	NC
# 2	GND
# 3	RF Output
# 4	+Vdc